



SJ9250 RT

ROUGH TERRAIN SCISSOR

STANDARD FEATURES

- Axle based 4WD system
- “Detroit Locker” type rear differential and limited slip front differential
- Dual fuel (gas/propane) or diesel engine
- Self-centering scissor design allows extension decks to be added to both ends
- 5' (1.52 m) Powered extension deck
- Disc brake system on rear axle
- Independent/Auto leveling outriggers
- 30% Gradeability
- 110V AC Outlet on platform with GFI
- Tilt alarm with drive & lift cut-out
- All motion audible alarm
- Lanyard attachment points
- Tie down/lift lugs
- Operator horn
- Flashing light
- Fold down hinged railing system
- Half height spring hinged gates on both sides
- Grip lug, air-filled tires
- Relay based control system
- SKYCODED™ color coded and numbered wiring system
- Telematics ready

ACCESSORIES AND OPTIONS

- Dual 5' (1.5 m) Powered extension decks
- 3500W Hydraulic generator
- Diesel scrubber for tier 4 interim engine
- Full height spring hinged gates
- Cold weather start package (Includes hydraulic oil tank heater, battery blanket, coolant or block heater)
- Heavy duty pipe rack
- Tool caddy
- Material handling stand
- Bio oil
- Positive air shut-off valve
- Non destructive testing
- ELEVATE telematics package
- Warranty options (3 year or 5 year plans available)

TIRE OPTIONS

- Grip lug foam-filled tires
- Non-marking grip lug air-filled tires
- Non-marking grip lug foam-filled tires

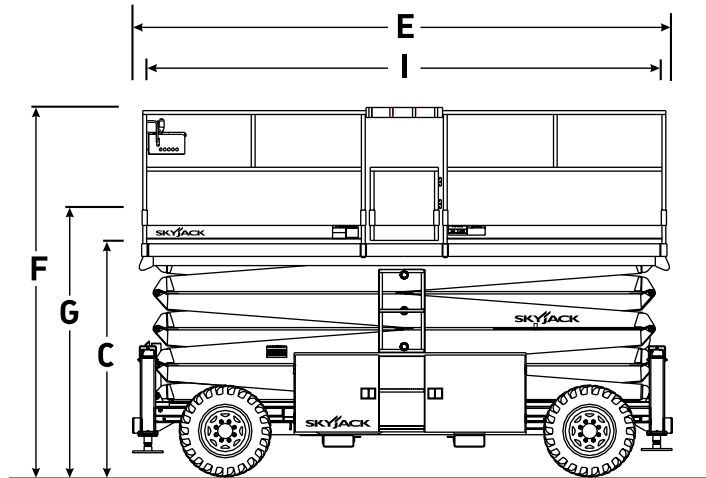
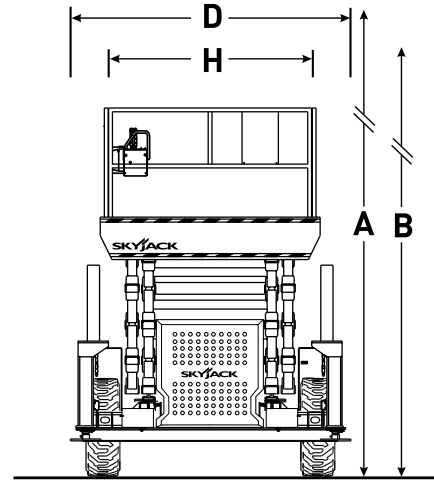
† Standard lead times may be increased when optional equipment is added, consult factory.

‡ Capacities, and machine weights may differ when options are added.

SJ9250 RT ROUGH TERRAIN SCISSOR

| Dimensions | SJ9250 RT |
|---|-----------------|
| A Work Height | 56' (17.07 m) |
| B Raised Platform Height | 50' (15.24 m) |
| C Lowered Platform Height | 79" (2.01 m) |
| D Overall Width | 92" (2.34 m) |
| E Overall Length | 176" (4.47 m) |
| F Stowed Height (Rails Up) | 124.5" (3.17 m) |
| G Stowed Height (Rails Down) | 90" (2.29 m) |
| H Platform Width (Inside Dimension) | 74" (1.88 m) |
| I Platform Length (Inside Dimension) | 168" (4.27 m) |

| Specifications | SJ9250 RT |
|--------------------------------------|-----------------------|
| Extension Deck | 5' (1.52 m) |
| Ground Clearance | 8" (0.20 m) |
| Wheelbase | 119" (3.02 m) |
| Weight | 15,200 lbs (6,895 kg) |
| Gradeability | 30% |
| Turning Radius (Inside) | 210" (5.33 m) |
| Turning Radius (Outside) | 301" (7.65 m) |
| Lift Time (With Rated Load) | 67 sec |
| Lower time (With Rated Load) | 72 sec |
| Drive Speed (Stowed) | 2 mph (3.2 km/h) |
| Drive Speed (Raised) | 0.6 mph (1 km/h) |
| Maximum Drive Height | 30' (9.14 m) |
| Capacity (Overall) | 1,500 lbs (680 kg) |
| Local Floor Load (With Rated Load) | 146 psi (1006 kPa) |
| Overall Floor Load (With Rated Load) | 204 psf (10 kPa) |
| Maximum # of Persons | 5 |
| Tire Type | Air Filled |
| Tire Size | 10 x 16.5 |



| Model | Capacity With 1 Extension Deck* | | Capacity With 2 Extension Decks* | | |
|-----------|---------------------------------|------------------|----------------------------------|------------------|------------------|
| | Main | Front Ext. | Main | Front Ext. | Rear Ext. |
| SJ9250 RT | 1,000 lbs (454 kg) | 500 lbs (227 kg) | 500 lbs (227 kg) | 500 lbs (227 kg) | 500 lbs (227 kg) |

Skyjack Head Office
 55 Campbell Rd. Guelph, ON Canada N1H 1B9
 Sales Inquiries: 1-877-755-4387 (1-877-SJLIFTS)
 Main Switchboard: 1-800-265-2738
 Phone: 519-837-0888
 Fax: 519-837-8104
 Email: skyjack@skyjack.com
 www.skyjack.com

This brochure is for illustrative purpose only and based on the latest information at the time of printing. Skyjack Inc. reserves the right to make changes at any time, without notice, to specifications, standard and optional equipment. Consult the Operating Maintenance and Parts Manuals for proper procedures. Work platforms have been tested to comply with ANSI and CSA standards as interpreted by Skyjack Inc.

